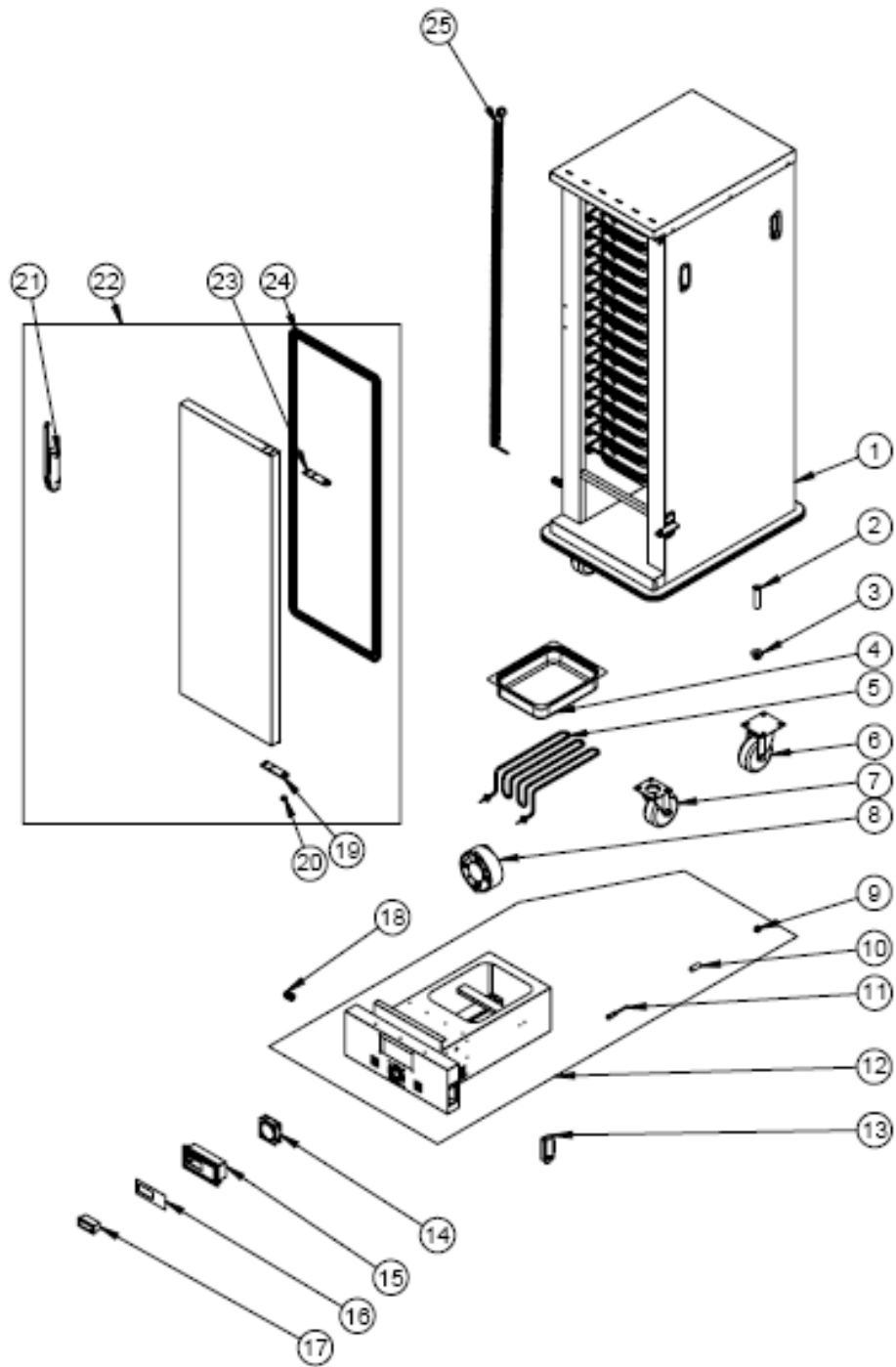


ТЕЛЕЖКА БАНКЕТНАЯ ТЕПЛОВАЯ TATRA ТВТ 1511 Н



ТЕЛЕЖКА БАНКЕТНАЯ ТЕПЛОВАЯ TATRA TBT 1511 H

1	CHASSIS	-	
2	PIPE	M.ENJ-ERK-PLS-002	
3	NUT	M.ENJ-ERK-PLS-024	
4	1/2 TUB	M.MTS-ERK-007	
5	RESISTANCE	M.ELK-RKR-BRU-ERK-007	
6	WHEEL WITHOUT BRAKE	M.AKS-TKR-KS-002	
7	WHEEL WITH BRAKE	M.AKS-TKR-KFS-002	
8	FAN	M.ELK-HVL-KFN-005	
9	FIXING SCREW	YTL-ERK.BQ-KS-0001	
10	STABILIZER	YTL-ERK.BQ-KS-0002	
11	CENSOR	M.ELK-EDM-DGT-011	
12	DRAWER	ARA-ERK.BQ-0031	
13	DRAWER HANDLE PLASTIC	M.ENJ-ERK-PLS-023	
14	FAN	M.ELK-HVL-KFN-002	
15	DIGITAL PLASTIC	M.ENJ-ERK-PLS-103	
16	TICKET	M.AKS-ETK-LKS-14*6	
17	THERMOSTAT	ERK.M.ELK-EDM-DGT-007	
18	CABLE GLAND	ERK.M.ELK-RKR-PLS-003	
19	BOTTOM HINGE SHEET	YSC-ERK.BQ-LZ-0097	
20	HINGE PIN LOCATION	YTL-ERK.BQ-KS-0003	
21	MAGNET LOCK	M.AKS-KLT-GNL	
22	COVER	ARA-ERK.BQ-0029	
23	TOP HINGE SHEET	YSC-ERK.BQ-LZ-0082	
24	GASKET	M.CNT-ERK-011	
25	RECEIPT	ERK.M.ELK-PWR-PBK-004	